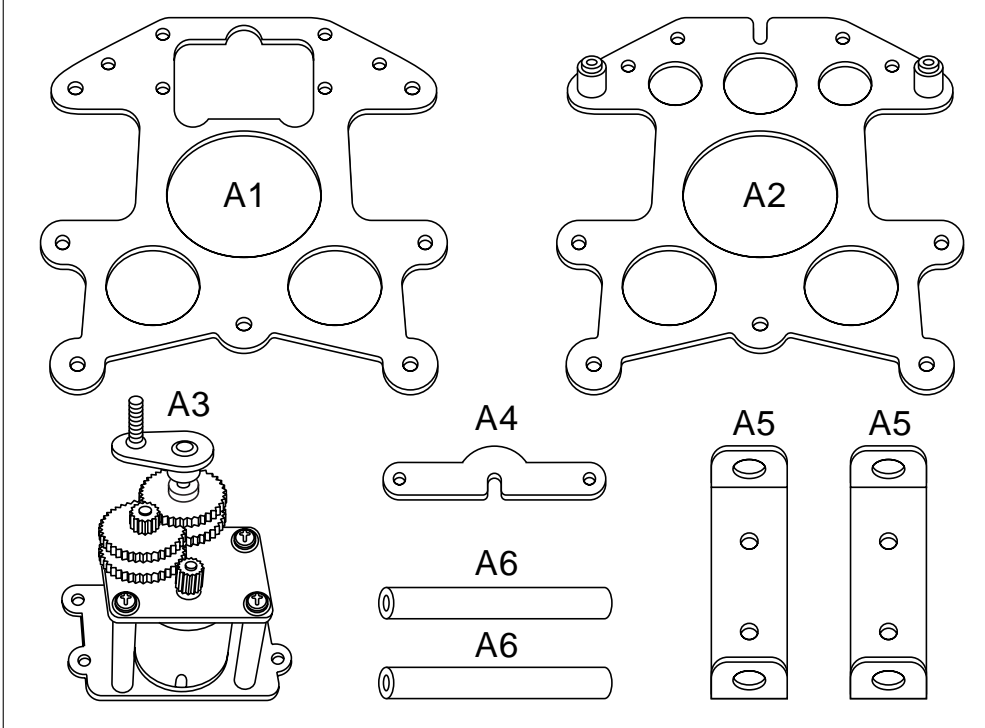


PARTS A

- A1 / body
- A2 / body
- A3 / motor case
- A4 / gear shaft retainer
- A5 / battery box holder (2)
- A6 / pipe(47×6mm) (2)

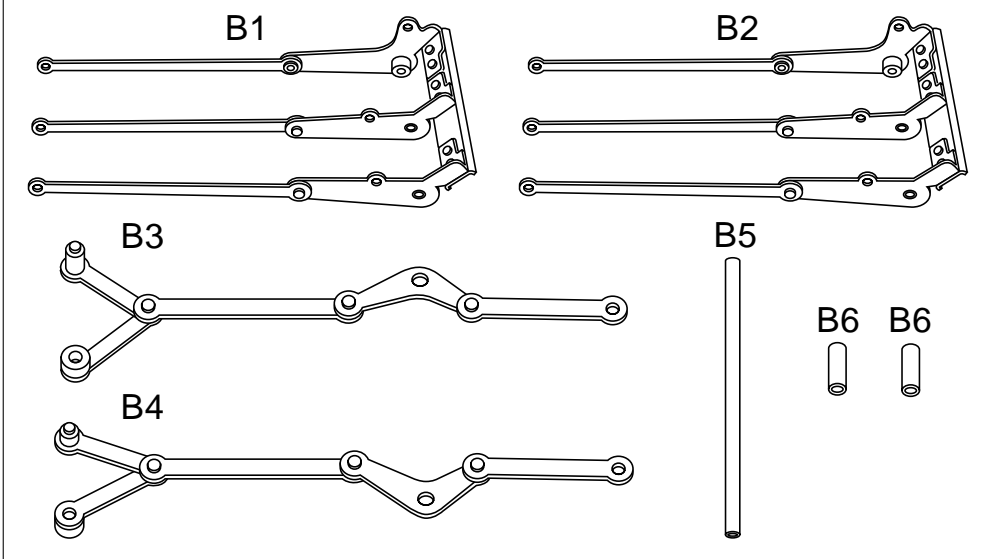
PARTS A



PARTS B

- B1 / large arms
- B2 / large arms
- B3 / crank
- B4 / crank
- B5 / long pipe (98×4mm)
- B6 / pipe(16×6mm) (2)

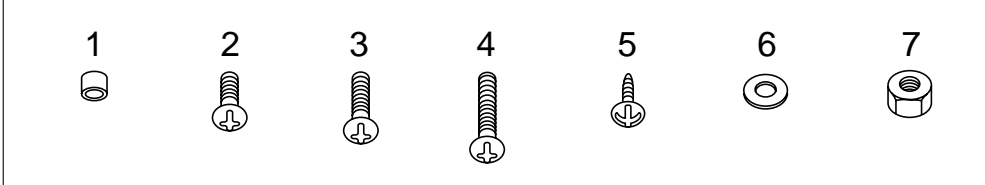
PARTS B



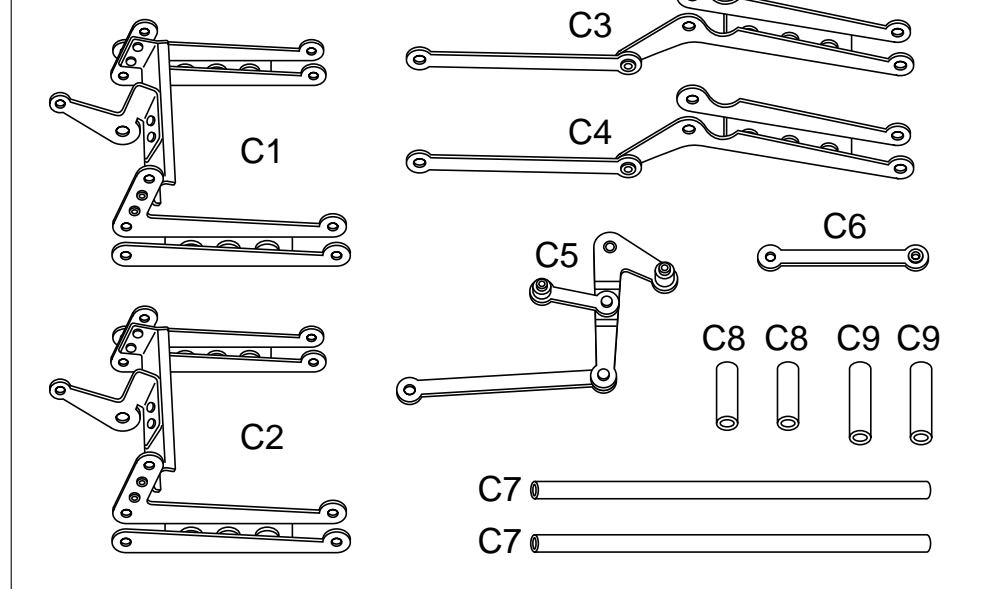
PARTS&TOOLS

- 1 / bush(2mm)
- 2 / screw(5mm)
- 3 / screw(8mm)
- 4 / screw(12mm)
- 5 / self-tapping screw
- 6 / washer
- 7 / nut

PARTS&TOOLS



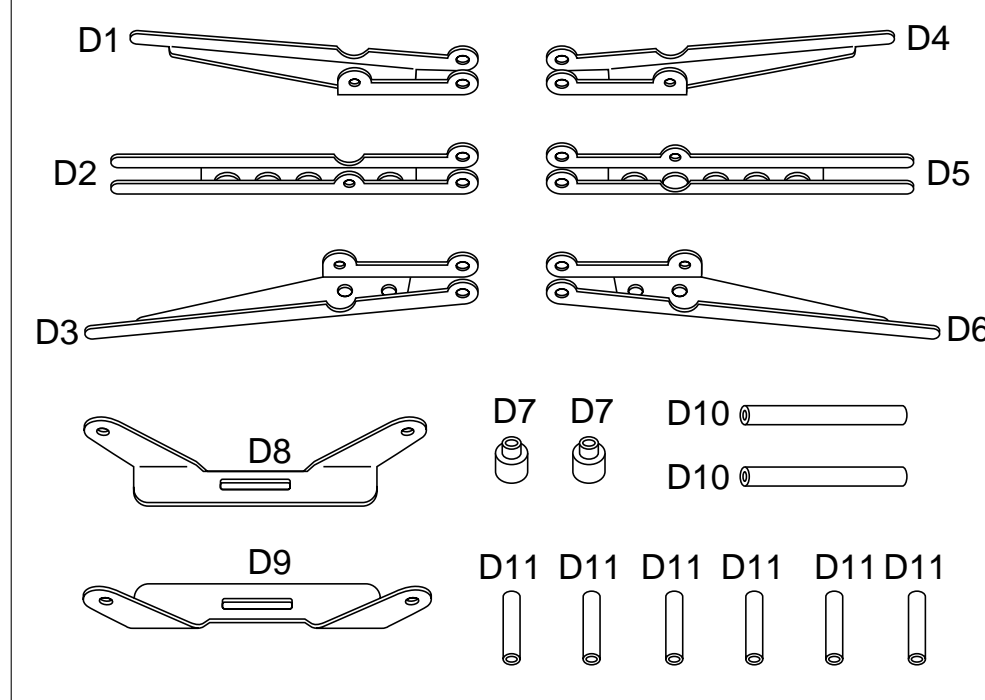
PARTS C



PARTS C

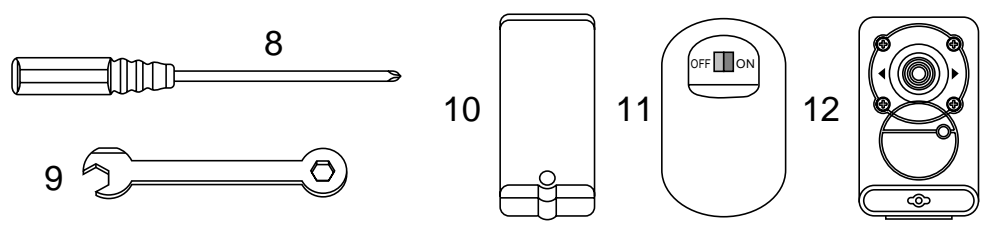
- C1 / upper legs
- C2 / upper legs
- C3 / upper center leg
- C4 / upper center leg
- C5 / link
- C6 / link
- C7 / long pipe (106×4mm) (2)
- C8 / pipe(14×6mm) (2)
- C9 / pipe(16×6mm) (2)

PARTS D



PARTS D

- D1 / lower left fore leg
- D2 / lower left center leg
- D3 / lower left hind leg
- D4 / lower right fore leg
- D5 / lower right center leg
- D6 / lower right hind leg
- D7 / bush with collar(2)
- D8 / sensor holder
- D9 / sensor holder
- D10 / pipe(47×6mm) (2)
- D11 / pipe(16×3mm) (6)



- 8 / screwdriver
- 9 / wrench
- 10 / battery box(2)
- 11 / light sensor
- 12 / remote control

Notice : There may be some extra screws, washers, nuts and bushes for spare.

Please note that shapes of parts may appear slightly different from the illustrations.