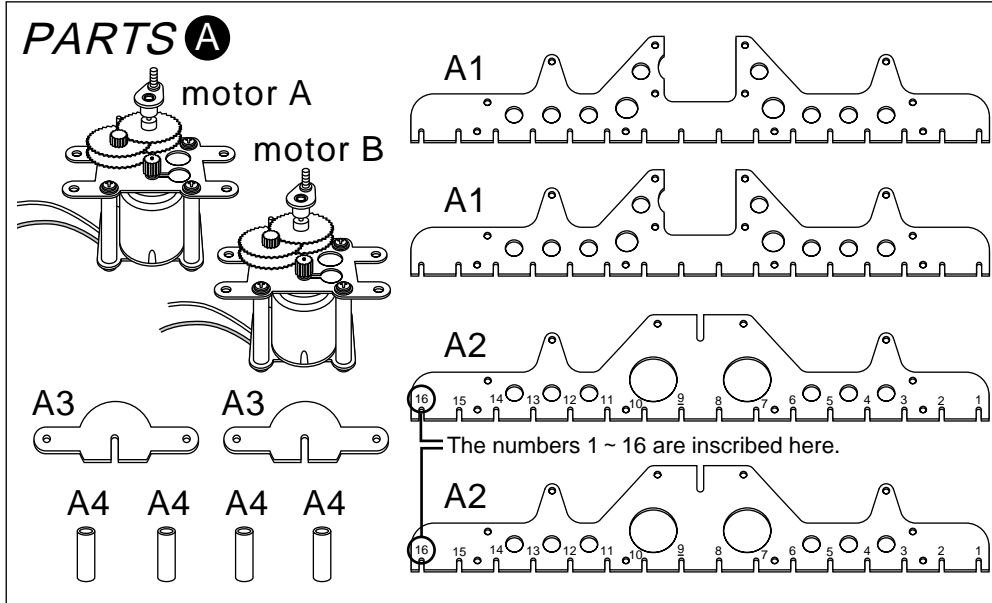


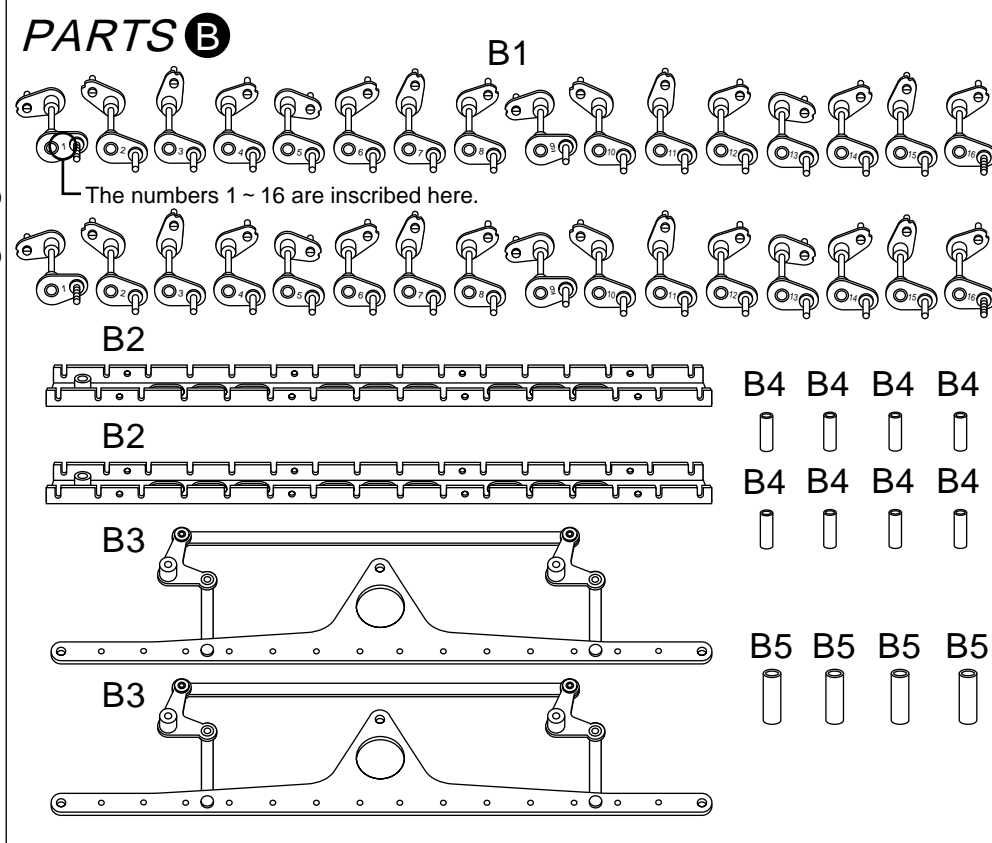
PARTS A

- A1 / leg base
- A2 / leg base
- A3 / motor gear retainer
- A4 / threaded pipe (15×6mm) (4)



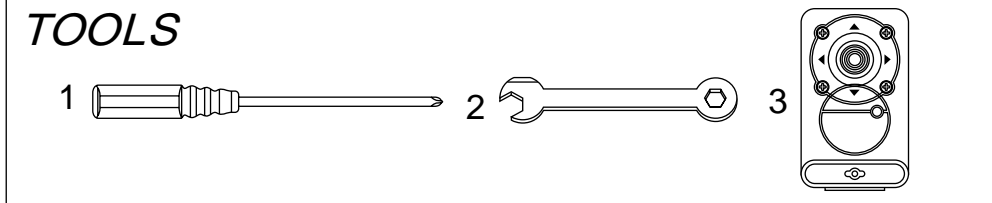
PARTS B

- B1 / crank (32)
- B2 / leg base
- B3 / link
- B4 / pipe (15×4.5mm) (8)
- B5 / pipe (16.5×6mm) (4)



TOOLS

- 1 / screwdriver (cross-headed tip)
- 2 / wrench
- 3 / remote control

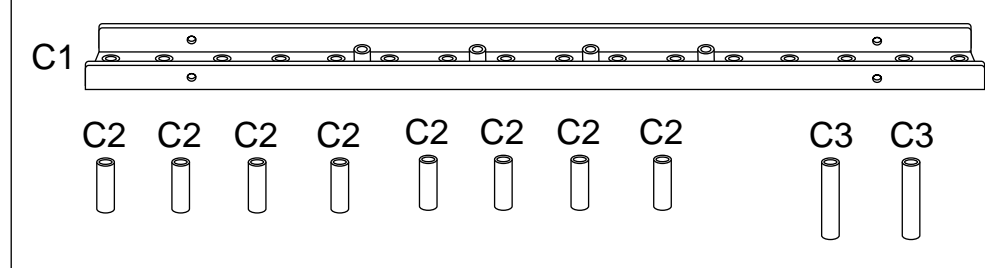


Please note that shapes of parts may appear slightly different from the illustrations.

Parts List

Mechamo Series Centipede

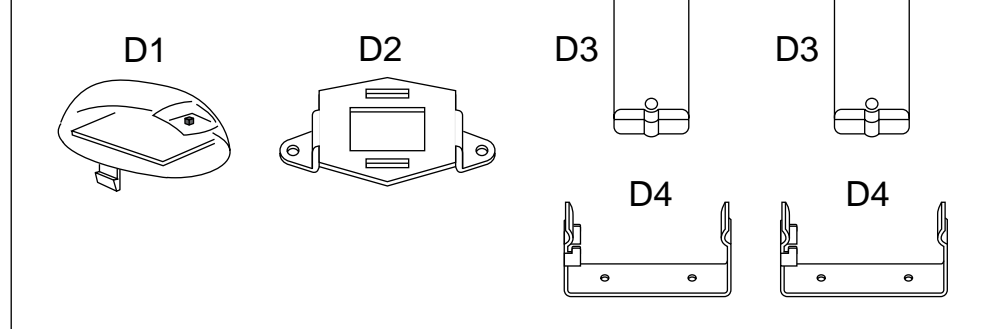
PARTS C



PARTS C

- C1 / body
- C2 / pipe (16.5×6mm) (8)
- C3 / threaded pipe (23×6mm) (2)

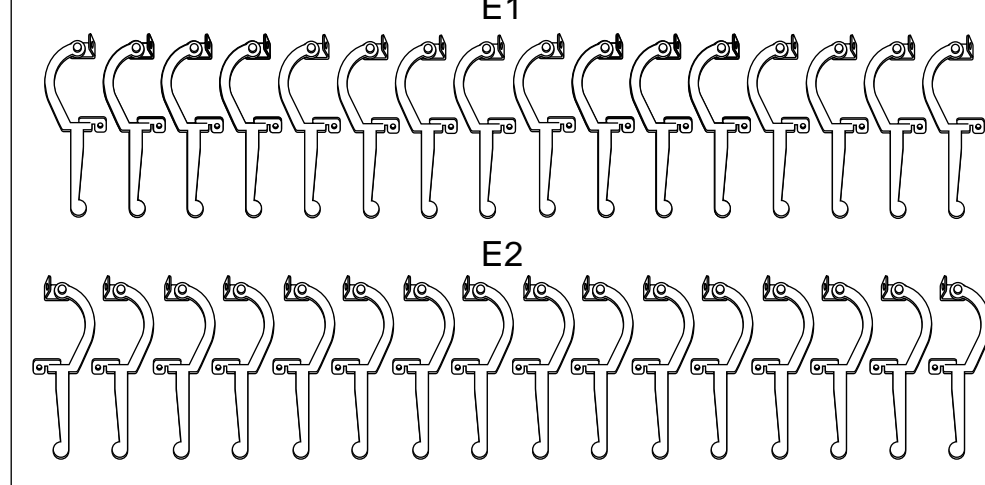
PARTS D



PARTS D

- D1 / light sensor
- D2 / sensor holder
- D3 / battery box
- D4 / battery box holder

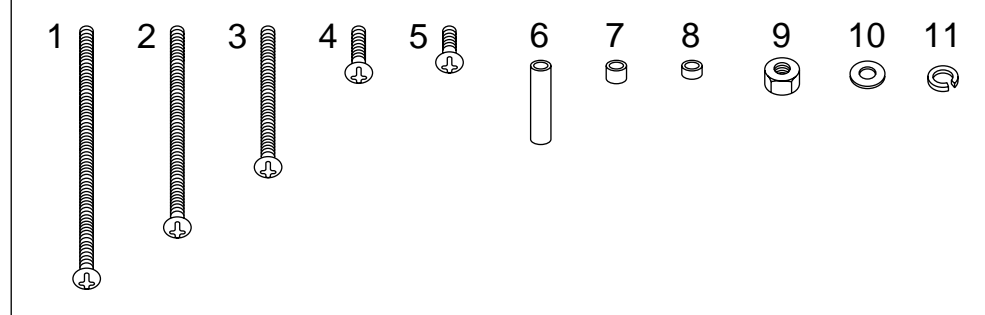
PARTS E



PARTS E

- E1 / right leg (16)
- E2 / left leg (16)

PARTS



PARTS

- 1 / screw (42mm)
- 2 / screw (35mm)
- 3 / screw (23mm)
- 4 / screw (8mm)
- 5 / screw (5mm)
- 6 / bush (13mm)
- 7 / bush (3mm)
- 8 / bush (2mm)
- 9 / nut
- 10 / washer
- 11 / spring washer

Notice : There may be some extra screws, washers, nut and bushes for spare.